

NOTES:
 I. OPTIONAL JUMPERS: W4, W5, W8, W9, W12, W13, W16 & W17

CHG	NO	REV	DATE	BY
A6001-00003	E			

ETCH REV.	D
P.C. DESIGN DATA BASE REV.	D

SIGNATURES		DATE	digital
DRN.	<i>[Signature]</i>	8/17/77	
CHK'D.	<i>[Signature]</i>	1/1/77	
ENG.	<i>[Signature]</i>	6/1/77	
PROJ. ENG.	<i>[Signature]</i>	6/1/77	
PROD.	<i>[Signature]</i>	1/5/77	
SCALE	2:1		TITLE
SHT.	OF 3		4 CHANNEL D-A
NEXT NUMBER	ASSY. B-DD-A6001-0		SIZE CODE
			0 UA A6001-0-0
			NUMBER
			1 MS# 11231C
			REV
			E

THIS DRAWING AND SPECIFICATIONS, GENERAL AND THE
 PARTS LIST ARE THE PROPERTY OF DIGITAL EQUIPMENT CORPORATION AND SHALL
 REMAIN THE PROPERTY OF DIGITAL EQUIPMENT CORPORATION IN WHOLE OR IN
 PART. NO REPRODUCTION OR TRANSMISSION IN ANY FORM OR BY ANY MEANS
 ELECTRONIC OR MECHANICAL, INCLUDING PHOTOCOPYING, RECORDING, OR BY
 ANY INFORMATION STORAGE AND RETRIEVAL SYSTEM, IS PERMITTED WITHOUT THE
 WRITTEN PERMISSION OF DIGITAL EQUIPMENT CORPORATION.
 © 1977

"THIS DRAWING AND SPECIFICATIONS, HEREIN, ARE THE PROPERTY OF DIGITAL EQUIPMENT CORPORATION AND SHALL NOT BE REPRODUCED OR COPIED OR USED IN WHOLE OR IN PART AS THE BASIS FOR THE MANUFACTURE OR SALE OF ITEMS WITHOUT WRITTEN PERMISSION. COPYRIGHT © 1977 DIGITAL EQUIPMENT CORPORATION"

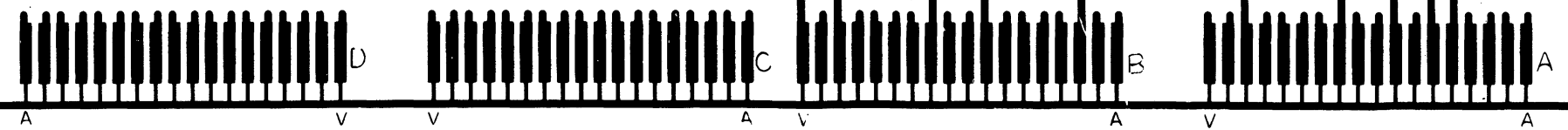
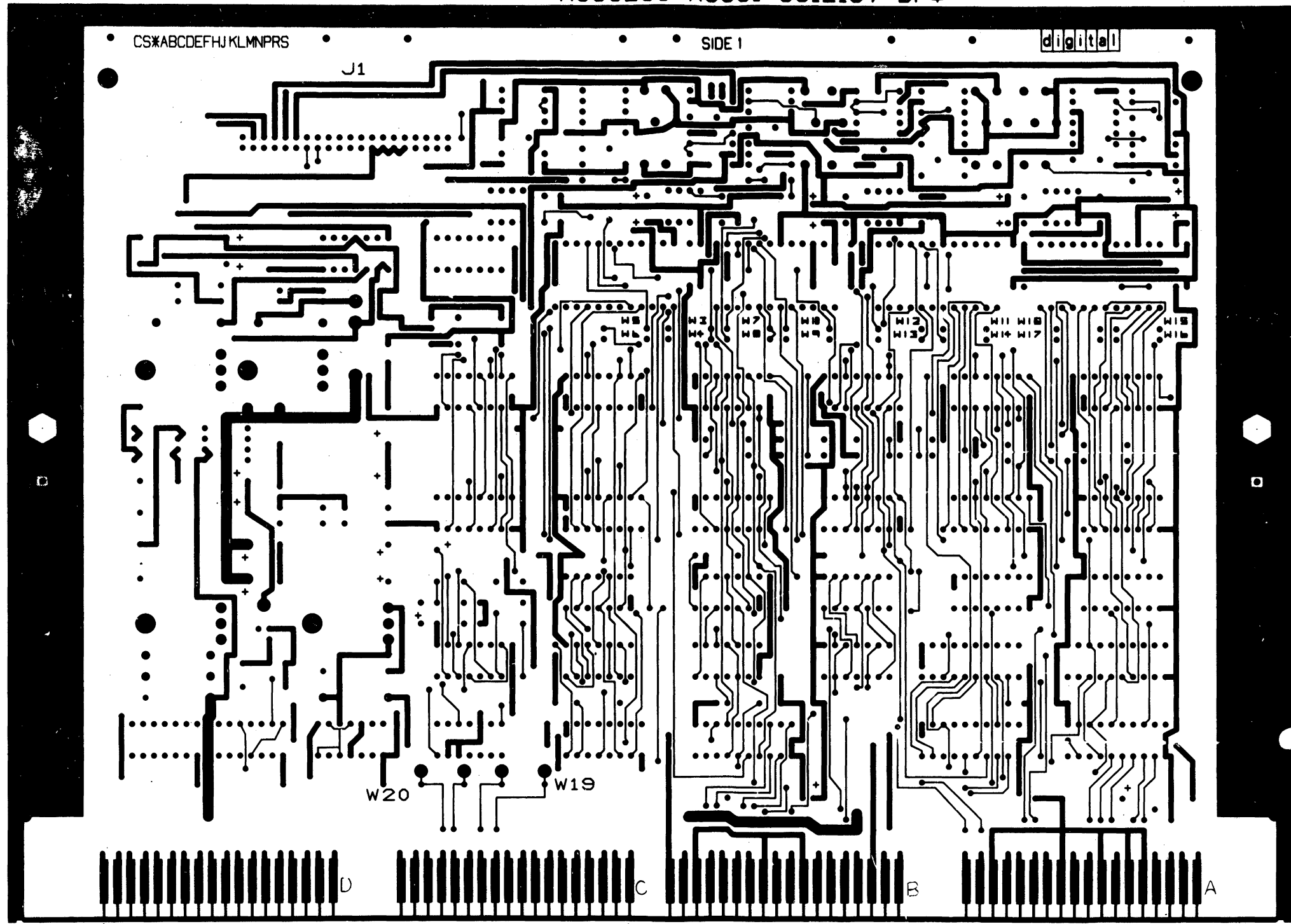
L1

MS30285 A6001 5012107 DP4

CS*ABCDEFGHIJKLMNPRS

SIDE 1

digital



REVISIONS		
CHK	CHANGE NO.	REV.

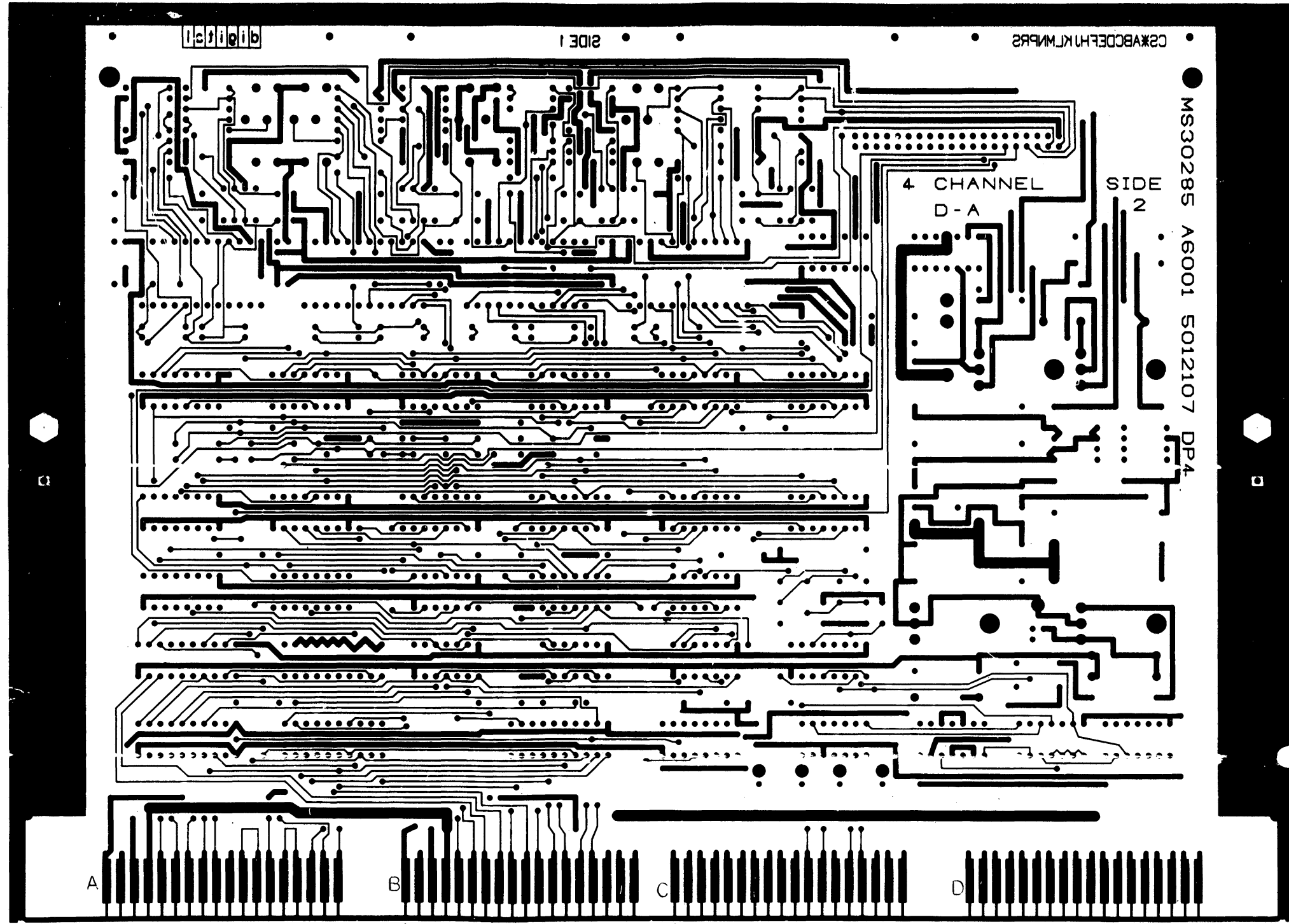
TITLE	4 CHANNEL D-A	SIZE CODE	DUA6001-0-0	NUMBER	E
SCALE	2/1	SHEET	2 OF 3	DIST.	

FIG. 1-1000 NO. 040 117

DUA6001-0-0
 SHEET 2 OF 3
 REV. E

"THIS DRAWING AND SPECIFICATIONS HEREIN ARE THE PROPERTY OF DIGITAL EQUIPMENT CORPORATION AND SHALL NOT BE REPRODUCED OR COPIED OR USED IN WHOLE OR IN PART AS THE BASIS FOR THE MANUFACTURE OR SALE OF ITEMS WITHOUT WRITTEN PERMISSION. COPYRIGHT © 1971 DIGITAL EQUIPMENT CORPORATION"

L2



MS30285 A6001 5012107 DP4

4 CHANNEL D-A SIDE 2

12345678

SIDE 1

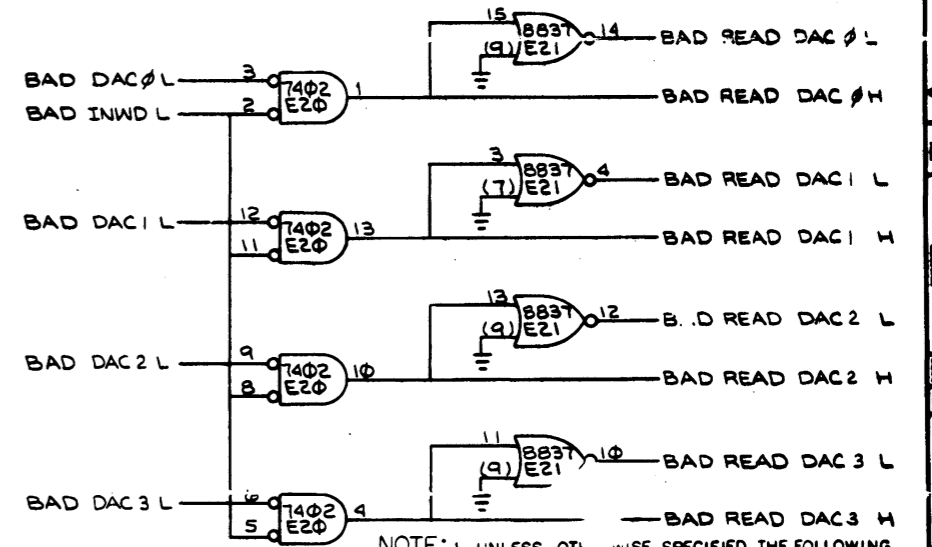
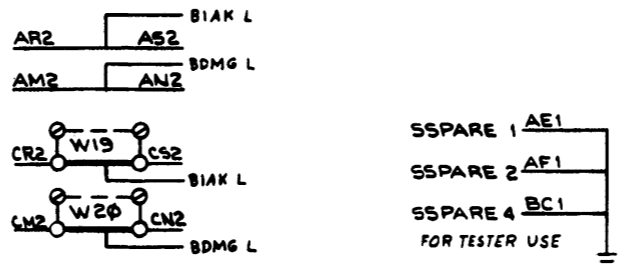
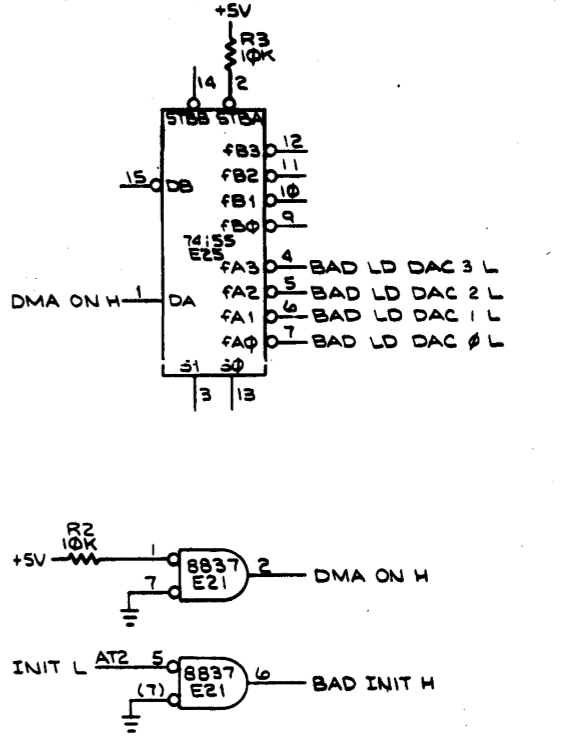
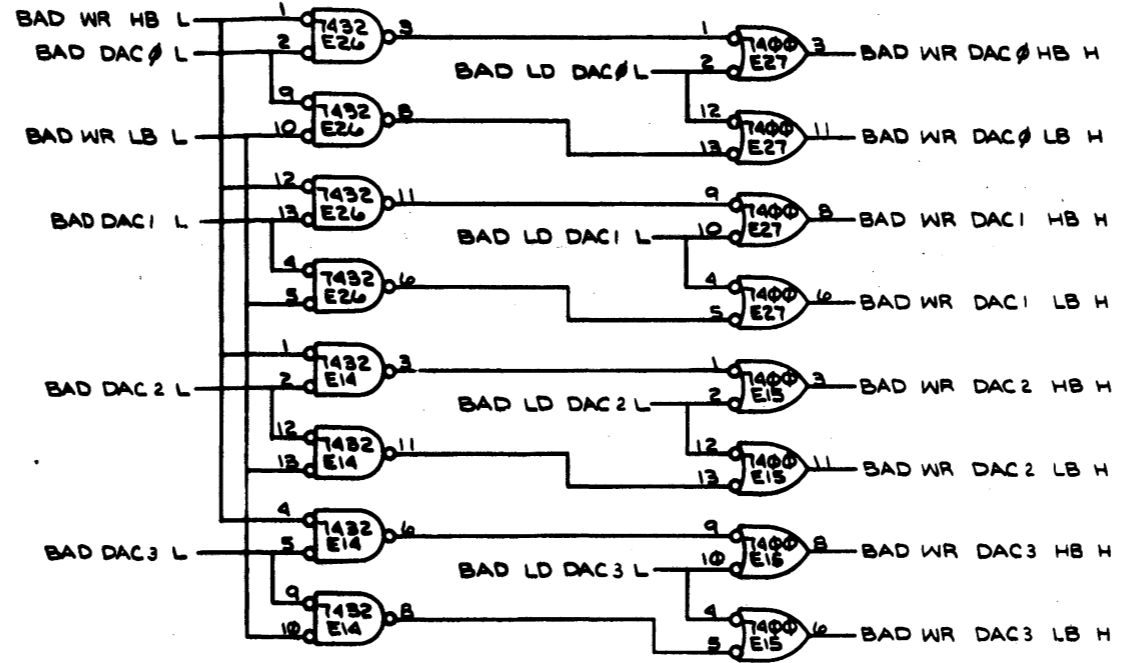
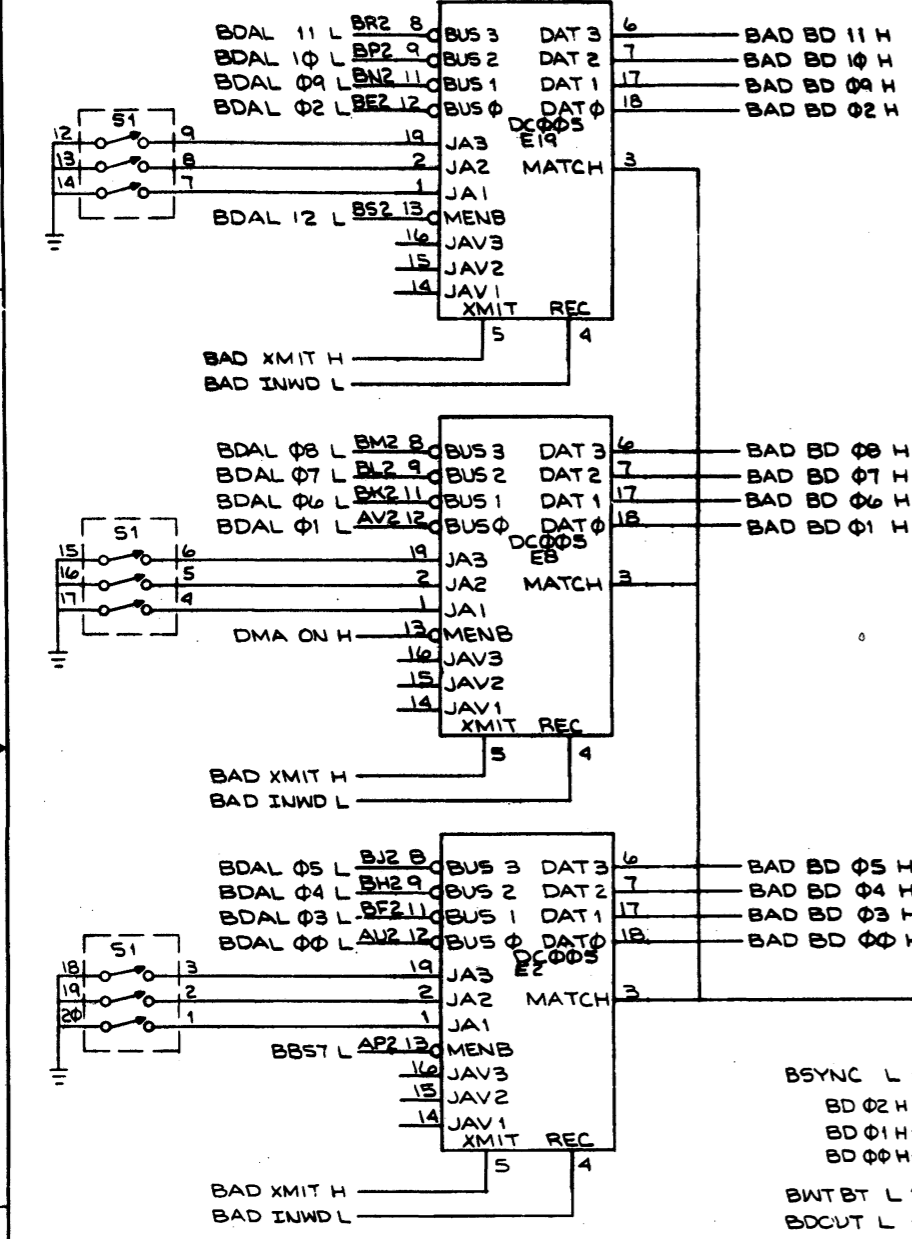
87654321

REVISIONS		
CHK	CHANGE NO.	REV.

TITLE	SIZE CODE	NUMBER	REV.
4 CHANNEL D-A	DUA A6001-0-0		E
SCALE	SHEET	OF	TOTAL

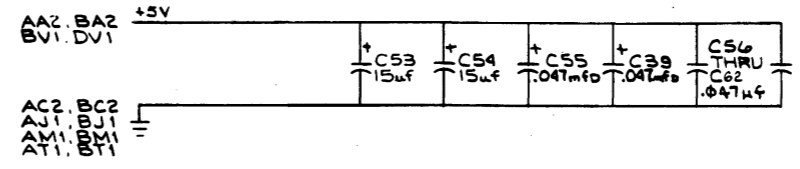
DUA A6001-0-0

"THIS DRAWING AND SPECIFICATIONS, HEREIN, ARE THE PROPERTY OF DIGITAL EQUIPMENT CORPORATION AND SHALL NOT BE REPRODUCED OR COPIED OR USED IN WHOLE OR IN PART AS THE BASIS FOR THE MANUFACTURE OR SALE OF ITEMS WITHOUT WRITTEN PERMISSION. COPYRIGHT © 1976, DIGITAL EQUIPMENT CORPORATION"



NOTE: 1. UNLESS OTHERWISE SPECIFIED, THE FOLLOWING PIN NUMBERS APPLY:

PACKAGE TYPE	VCC	GND	-VCC
16 PIN DIP	16	8	-
14 PIN DIP	14	7	-
DEC DC004	18	9	-
DEC DC005	20	10	-
2505	7	-	4
A02700	13	7	-



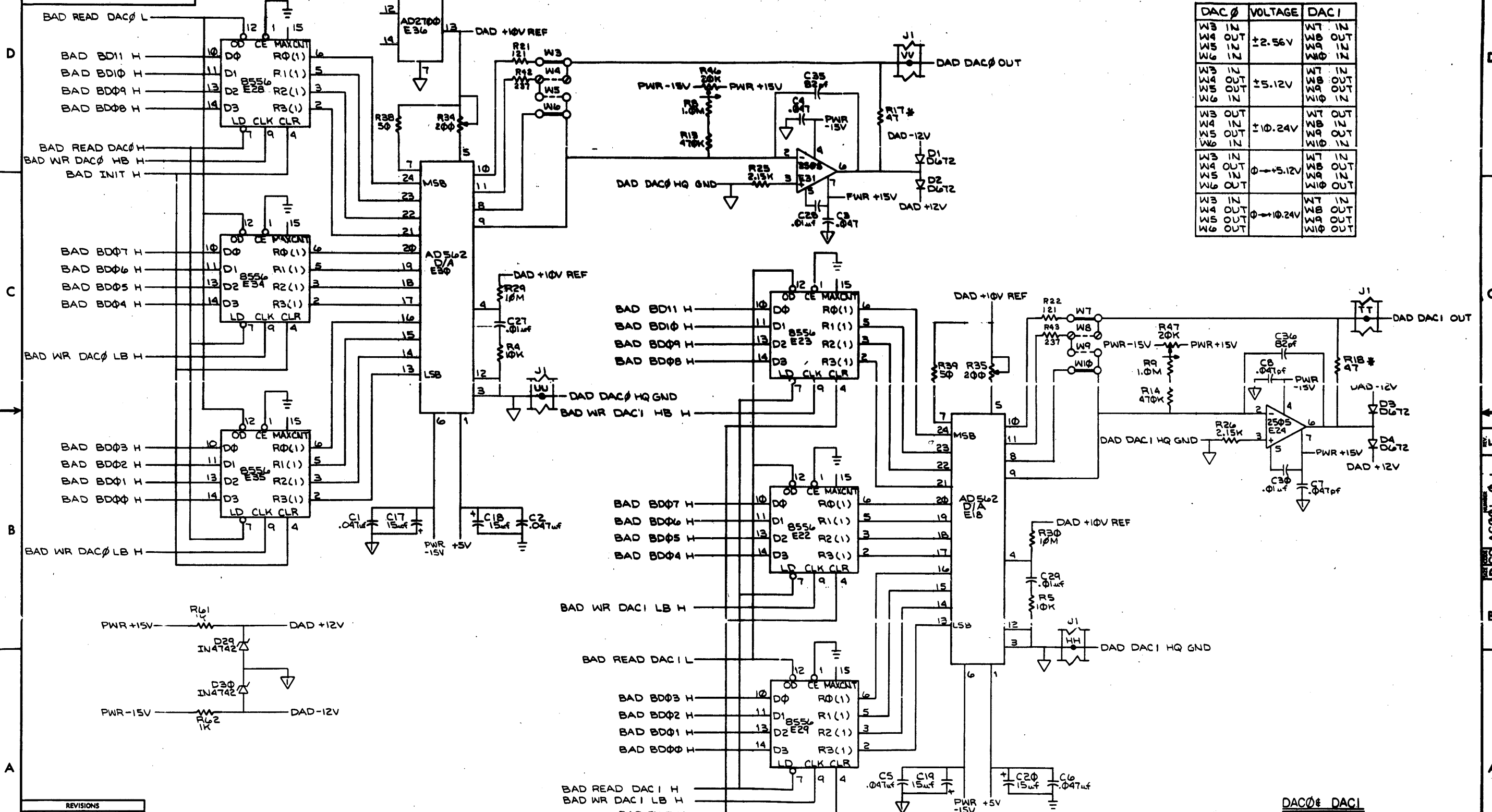
REV.	CHANGE NO.	DATE	BY	CHK
1	0			
2	1	1-20-76		
3	2	2-3-76		
4	3	2-10-76		
5	4	2-10-76		
6	5	2-10-76		
7	6	2-10-76		
8	7	2-10-76		
9	8	2-10-76		
10	9	2-10-76		
11	10	2-10-76		
12	11	2-10-76		
13	12	2-10-76		
14	13	2-10-76		
15	14	2-10-76		
16	15	2-10-76		
17	16	2-10-76		
18	17	2-10-76		
19	18	2-10-76		
20	19	2-10-76		
21	20	2-10-76		
22	21	2-10-76		

DRN. R. W. C. No.	REV.	FIRST USED ON
CHK'ED	1	
ENG.	1	
PROJ. ENG.	1	
PROD. ENGR.	1	
NEXT HIGHER ASSY.		
B-DD-A6001-0	SIZE CODE	NUMBER
SCALE	D	CS A6001-0-1
SHEET 1 OF 4	DIST.	

"THIS DRAWING AND SPECIFICATIONS HEREIN ARE THE PROPERTY OF DIGITAL EQUIPMENT CORPORATION AND SHALL NOT BE REPRODUCED OR COPIED OR USED IN WHOLE OR IN PART AS THE BASIS FOR THE MANUFACTURE OR SALE OF ITEMS WITHOUT WRITTEN PERMISSION. COPYRIGHT © 1976 DIGITAL EQUIPMENT CORPORATION"

NOTES
1. * DENOTES FUSIBLE RESISTOR

DAC 0	VOLTAGE	DAC 1
W3 IN W4 OUT W5 IN W6 IN	±2.56V	W7 IN W8 OUT W9 IN W10 IN
W3 IN W4 OUT W5 OUT W6 IN	±5.12V	W7 IN W8 OUT W9 OUT W10 IN
W3 OUT W4 IN W5 OUT W6 IN	±10.24V	W7 OUT W8 IN W9 OUT W10 IN
W3 IN W4 OUT W5 IN W6 OUT	0 → +5.12V	W7 IN W8 OUT W9 IN W10 OUT
W3 IN W4 OUT W5 OUT W6 OUT	0 → +10.24V	W7 IN W8 OUT W9 OUT W10 OUT

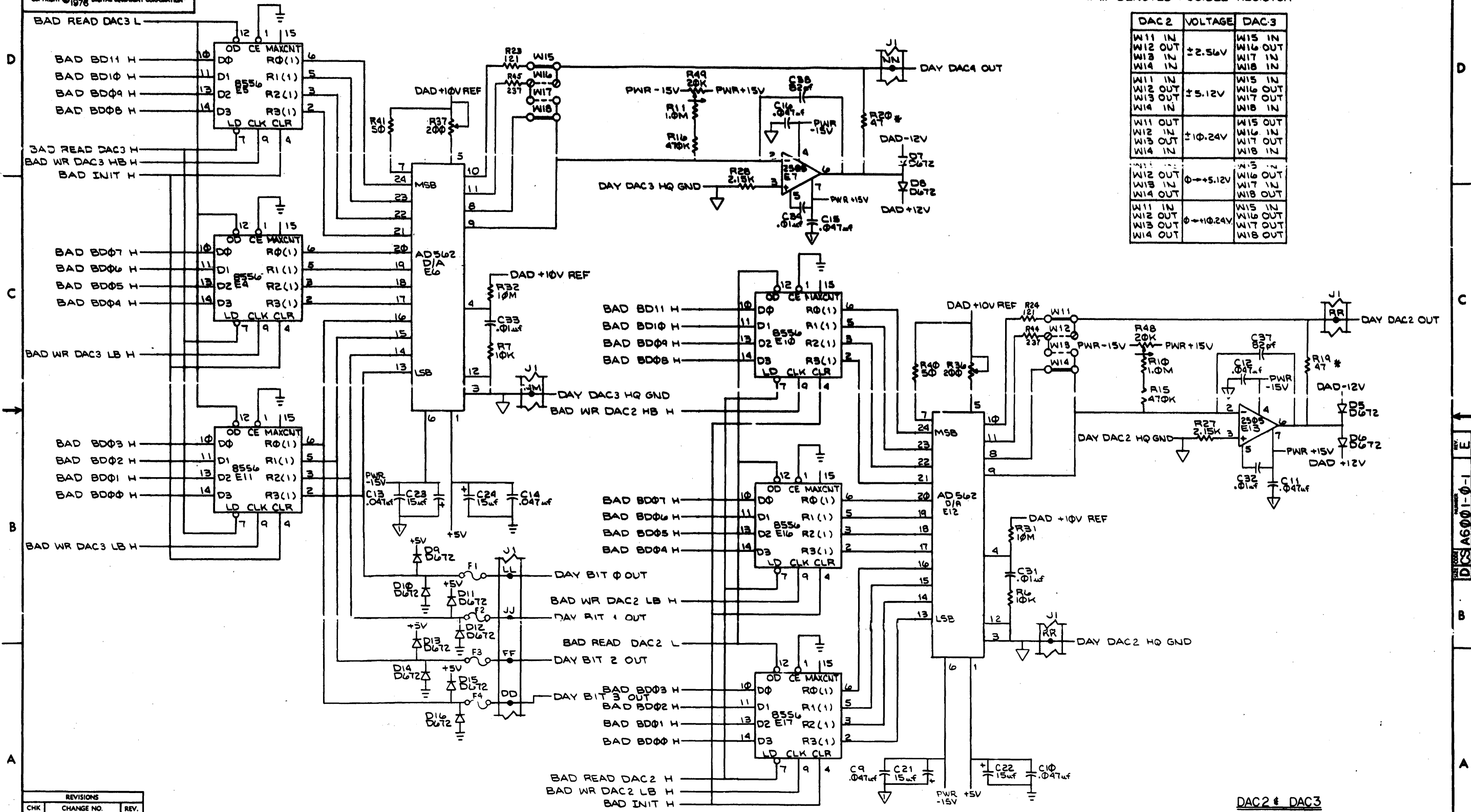


REVISIONS		
CHK	CHANGE NO.	REV.

"THIS DRAWING AND SPECIFICATIONS HEREIN ARE THE PROPERTY OF DIGITAL EQUIPMENT CORPORATION AND SHALL NOT BE REPRODUCED OR COPIED OR USED IN WHOLE OR IN PART AS THE BASIS FOR THE MANUFACTURE OR SALE OF ITEMS WITHOUT WRITTEN PERMISSION. COPYRIGHT © 1976 DIGITAL EQUIPMENT CORPORATION"

NOTES
1. * DENOTES FUSIBLE RESISTOR

DAC 2		VOLTAGE	DAC 3	
W11 IN	W12 OUT	±2.56V	W15 IN	W16 OUT
W13 IN	W14 IN		W17 IN	W18 IN
W11 IN	W12 OUT		W15 IN	W16 OUT
W13 OUT	W14 IN	±5.12V	W17 OUT	W18 IN
W11 OUT	W12 IN		W15 OUT	W16 IN
W13 OUT	W14 IN		W17 OUT	W18 IN
W11 OUT	W12 IN	±10.24V	W15 OUT	W16 IN
W13 OUT	W14 IN		W17 OUT	W18 IN
W11 IN	W12 OUT		W15 IN	W16 OUT
W13 OUT	W14 OUT	±10.24V	W17 IN	W18 OUT
W11 IN	W12 OUT		W15 IN	W16 OUT
W13 OUT	W14 OUT		W17 IN	W18 OUT

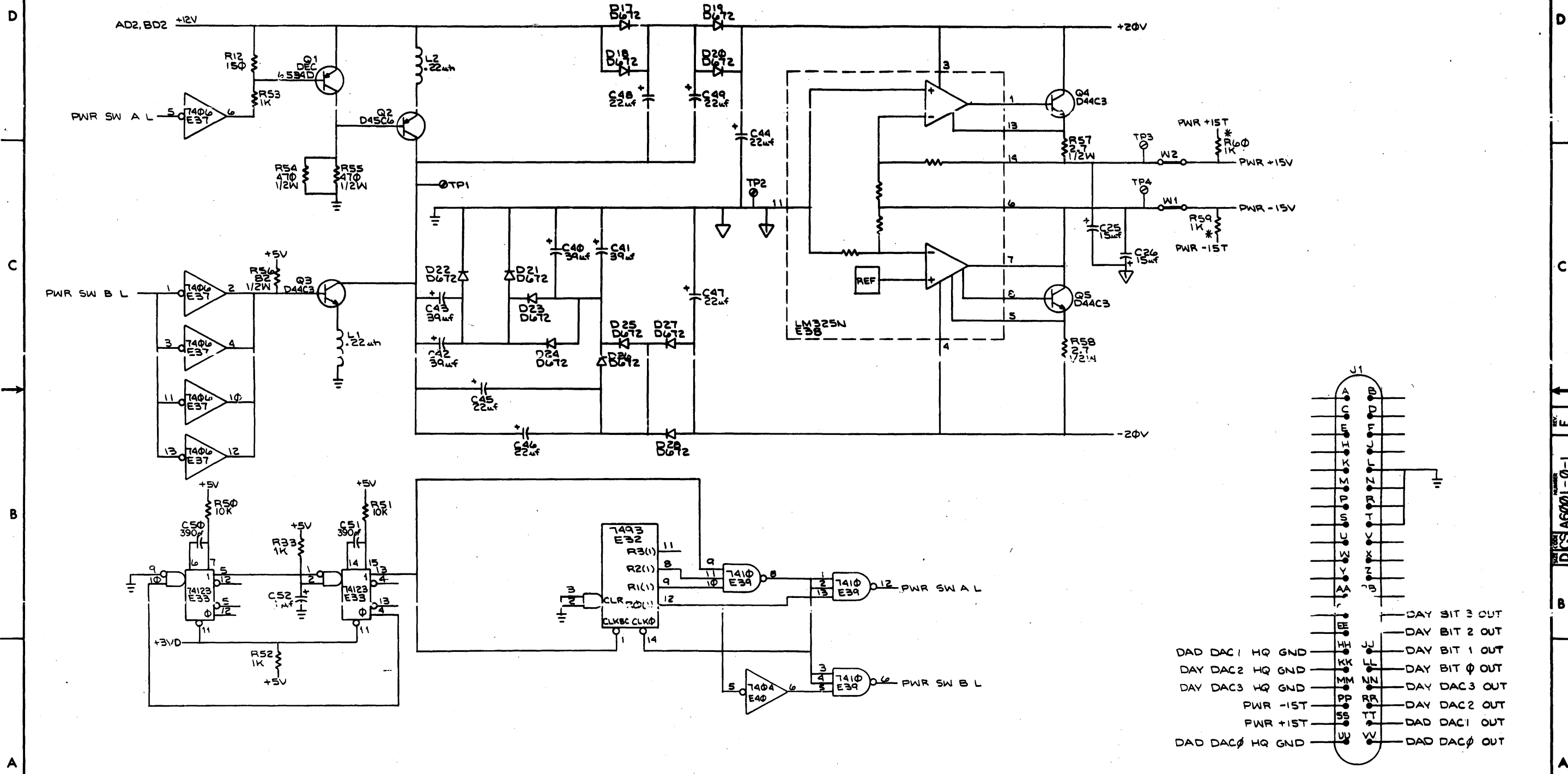


REVISIONS		
CHK	CHANGE NO.	REV.

"THIS DRAWING AND SPECIFICATIONS HEREIN ARE THE PROPERTY OF DIGITAL EQUIPMENT CORPORATION AND SHALL NOT BE REPRODUCED OR COPIED OR USED IN WHOLE OR IN PART AS THE BASIS FOR THE MANUFACTURE OR SALE OF ITEMS WITHOUT WRITTEN PERMISSION. COPYRIGHT © 1976 DIGITAL EQUIPMENT CORPORATION"

DCS A6001-0-1

NOTES:
1. * DENOTES FUSIBLE RESISTOR



- POWER SUPPLY
- | | | | |
|------------------|---|---|---------------|
| DAD DAC 1 HQ GND | H | J | DAY BIT 3 OUT |
| DAY DAC 2 HQ GND | K | L | DAY BIT 2 OUT |
| DAY DAC 3 HQ GND | M | N | DAY BIT 1 OUT |
| PWR -15T | P | R | DAY BIT 0 OUT |
| PWR +15T | S | T | DAY DAC 3 OUT |
| DAD DAC 0 HQ GND | U | V | DAY DAC 2 OUT |
| | | | DAD DAC 1 OUT |
| | | | DAD DAC 0 OUT |

REVISIONS		
CHK	CHANGE NO.	REV.

TITLE	4 CHANNEL D-A (PWR)	SIZE CODE	D CS	NUMBER	A6001-0-1	REV.	E
SCALE		SHEET	3F	4	DIST.		

